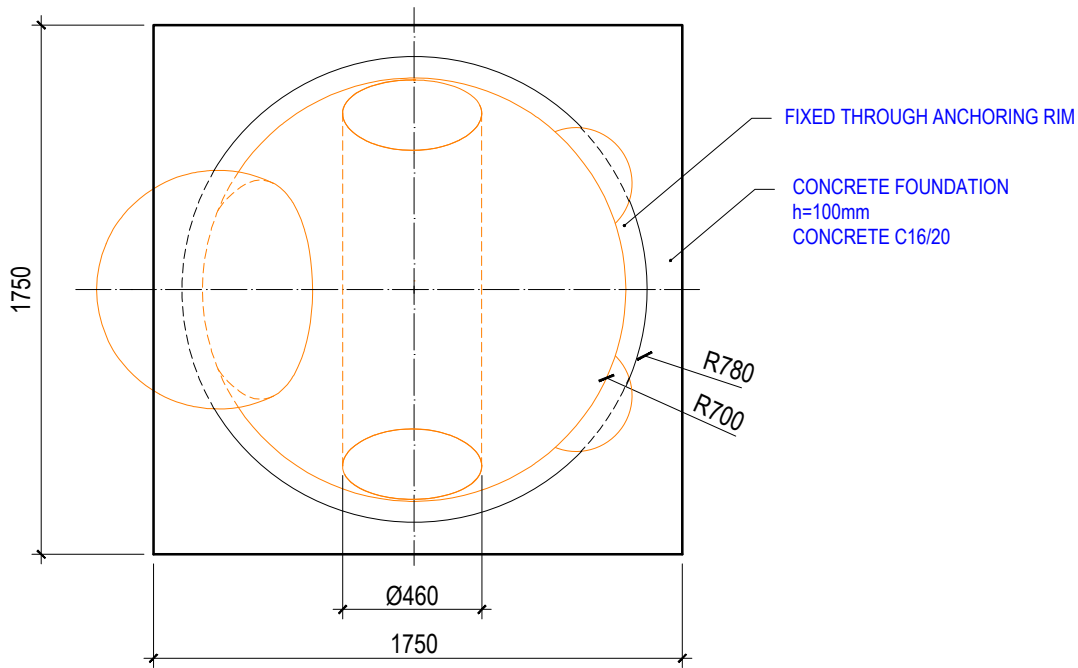
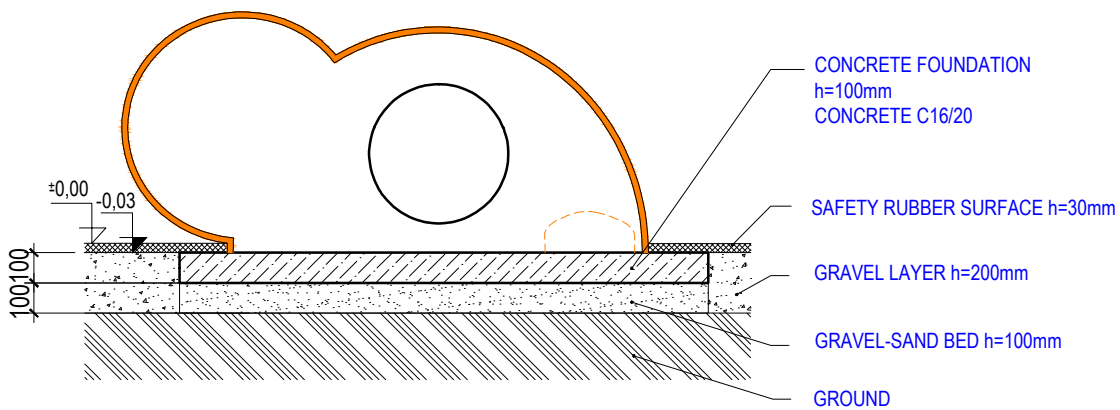


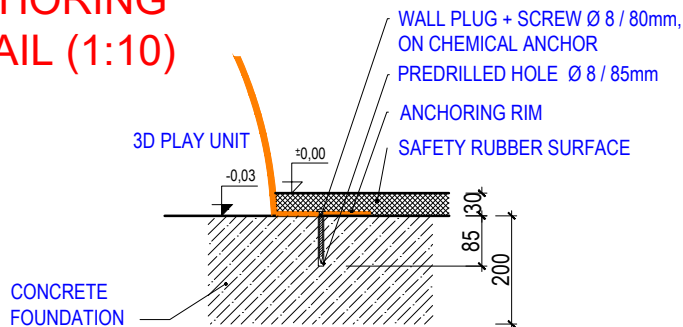
## GROUND PLAN (1:25)




## SECTION (1:25)



## ANCHORING DETAIL (1:10)



Author:		3D PROGRAM, s.r.o.	
BcA. Daniel Nad		Objizdná 1911 765 02 Otrokovice Tel: 602 500 045 Email: info@3dprogram.eu	
<b>3D PLAY UNIT ANCHORING</b>		Certified according to	EN71 , EN1176
C35t - BAT C05m - MALLARD C05d - DUCK		Date of issue	02.02.2024
		M 1:25, 1:10	format 1xA4
<b>Foundation and anchoring - ground plan and section</b>		C_EN.dwg	revision 0